

PRODUCT CATALOGUE

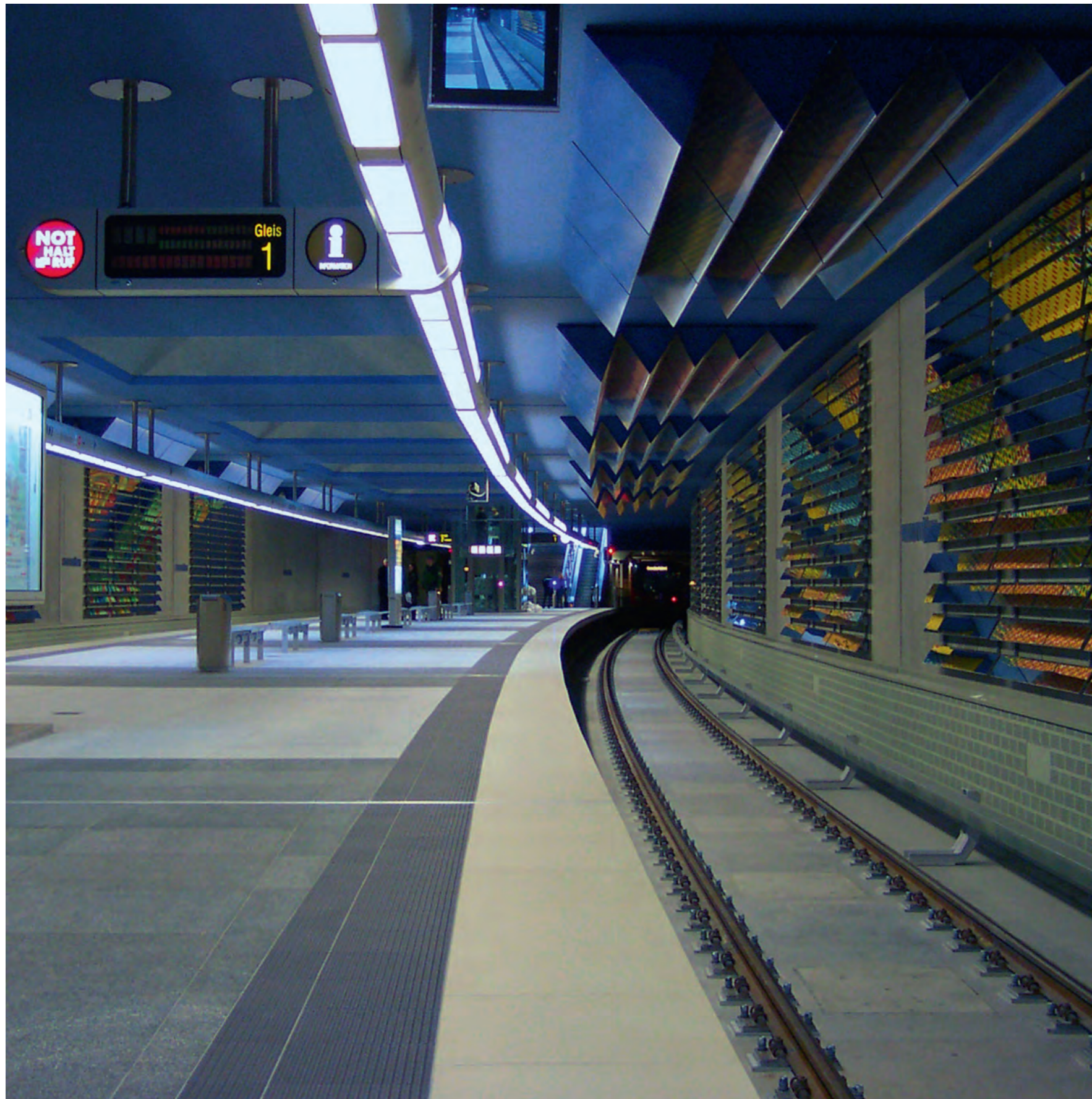
LIGHTING SYSTEMS

CONTENTS

INTRODUCTION	4
BUILDING ART	8
EVERYTHING FROM A SINGLE SOURCE	10
QUALITY, SAFETY & EFFICIENCY	12
FISCHER LICHT & METALL	13

OUR PRODUCTS

DB 94	15	LK 225X250	20
F 08	15	F 10	21
DB 1	16	F 18	21
F 08 H	16	DB 150	22
F 08 H CORNER VERSION	17	DB 175	22
FLB 94 H	17	DB 200	23
FLB 94 H CORNER VERSION	18	LR 220	23
FK 02	18	DB 300	24
FB 02	19	DB 400	24
F 02	19	HANDRAIL, ANGULAR	25
LK 225X300	20	HANDRAIL, OVAL	25



WITH US, YOUR PROJECT WILL SHINE.

FISCHER has been producing lighting systems for public spaces for over 40 years. These form part of the permanent fittings in mainline and local railway stations, underground stations, congress centres, shopping centres and other public spaces. We create aesthetically pleasing lighting solutions through creative dialogue with architects and planning offices. Our services include measurements in open areas using laser technology, 3D design, in-house production using state-of-the-art machinery and professional, proper installation. FISCHER lighting systems is certified in accordance with DIN EN ISO 9001:2015 and possess all the legally prescribed manufacturer qualifications for steel and aluminium structures. At FISCHER, safety and security in public spaces is our primary concern.

WE DON'T JUST TAKE CARE OF GOOD LIGHTING.

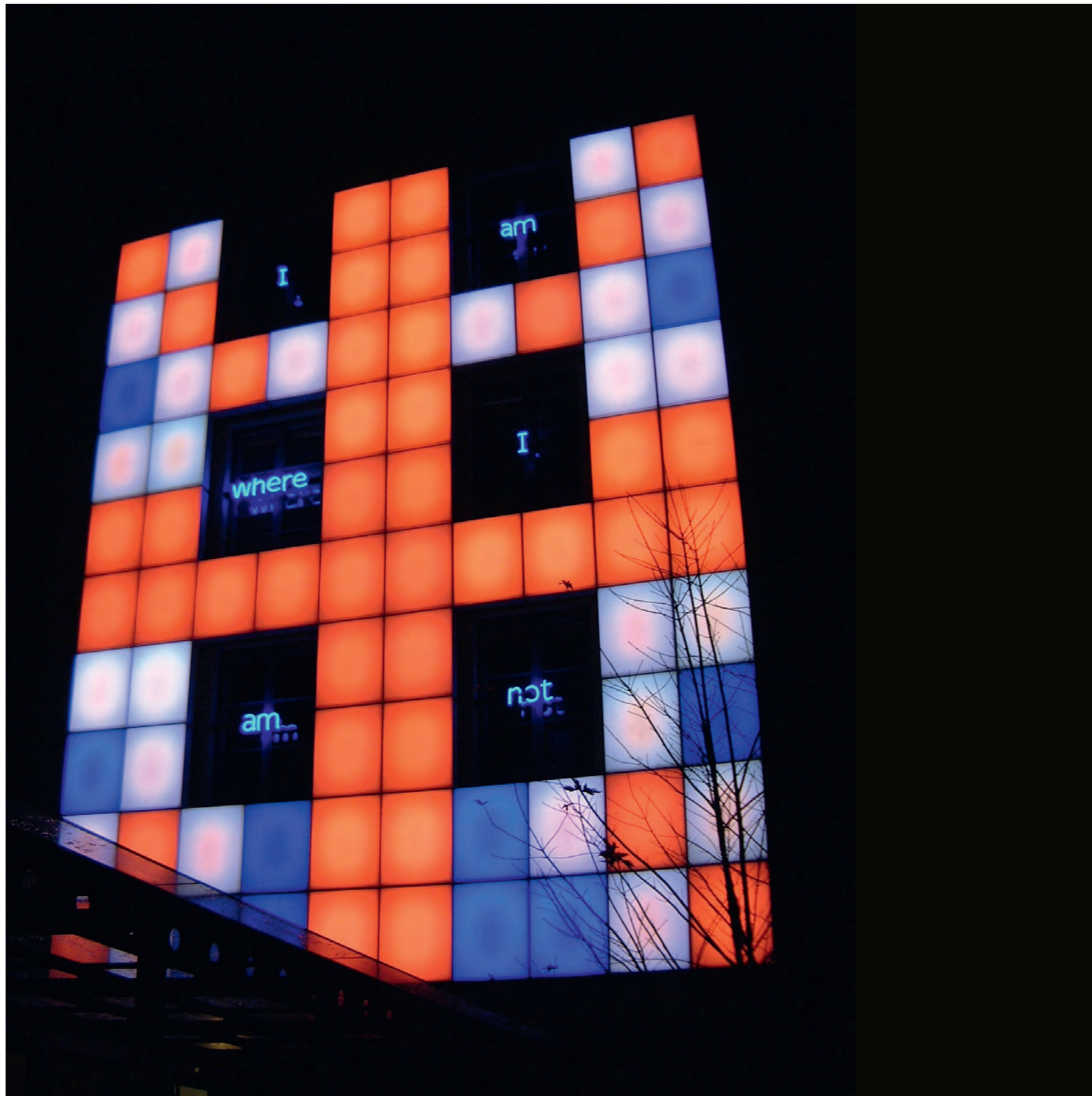
MEDIA CARRIER SYSTEMS, LIGHT PIPES AND CARRIER PROFILES

Tailored to your individual wishes, we produce lighting systems made of extruded aluminium or stainless steel profiles, which we install with high-quality industrial luminaires. Choose your surface: powder-coated as per RAL or silver anodised. Loudspeakers, video cameras, fire alarms, etc. can be integrated into these lighting systems. FISCHER LIGHTING SYSTEMS are approved for use in railway stations (to illuminate the platforms), in underpasses, congress and shopping centres, and other public spaces. Our media carrier systems were listed by Deutsche Bahn as B 04.50.010 - 021 and can still be used or installed.



HANDRAILS

Our handrails are available in angular or oval shapes to ensure the best possible appearance and suitability on site. They are made of extruded aluminium profiles with structured Makrolon covers. For lighting, we use either industrial luminaires – including customised reflector technology – or particularly energy-efficient FISCHER LED technology. Our handrails can follow even the most complex angles and are thus ideally suited for escalators, staircases and other routings in airports or shopping centres. In these applications, they ensure safety while setting bright accents.



THE 'HOUSE OF COMMUNICATION'

BUILDING ART

You can create unique lighting designs and works of illumination art with FISCHER. We realise projects by globally renowned light artists in an expert manner on your behalf. We implement your building designs using high-quality materials, combined with the latest lighting technology and control electronics. FISCHER manufactured 76 individually controllable colour panels for the façade depicted here of the 'House of Communication' on Briener Strasse in Munich, the headquarters of the SERVICEPLAN advertising agency. The Internet Art Façade project received the prestigious International Media Art Award in 2004.

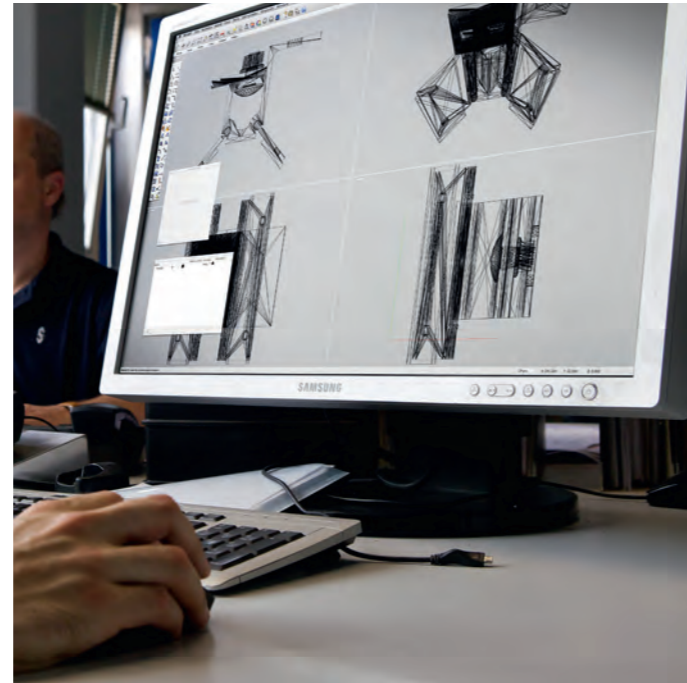


A LIGHT COLUMN
IN SEOUL

EVERYTHING FROM A SINGLE SOURCE

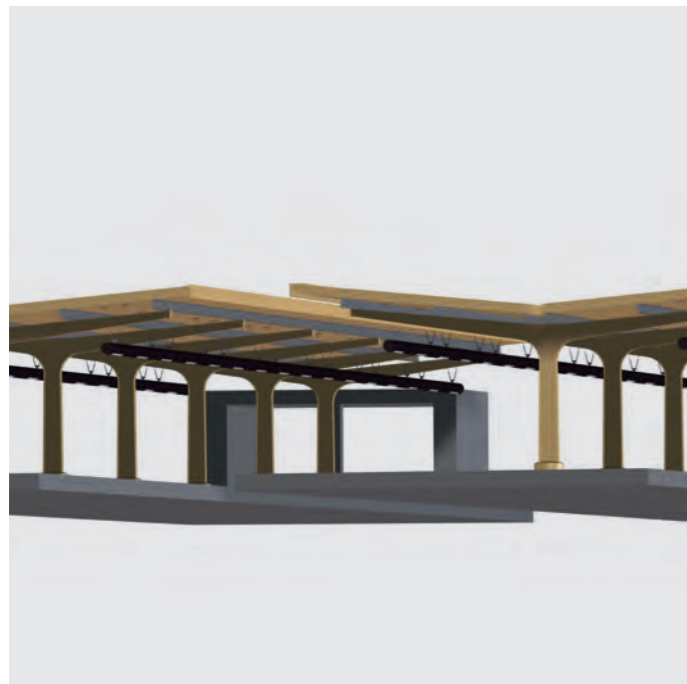
DEVELOPMENT

New ideas – both yours and ours – are our day-to-day business. Creativity in design and technology as well as expertise in lighting technology are our strengths. Technical benefits and cost-effectiveness are the top priorities of our development work.



DESIGN

We transfer your ideas to the drawing board: prototyping, photometric tests and state-of-the-art 3D design – all in-house. Naturally, we also take care of the statics calculations and coordinate the building connections.



PRODUCTION

We manufacture using the most advanced CNC machines, on a floor space of 15,000 m². With the aid of strong craft skills, the infinitely versatile materials of sheet metal and acrylic glass can be shaped to produce appealing objects.

INSTALLATION

Measurements on site according to the plans with laser technology, also in open spaces. These are the prerequisites for quick, elegant installations. Our easily comprehensible assembly instructions guarantee error-free work. We carry out installations throughout Europe.



THE REAL ADDED VALUE FOR YOU AS A CUSTOMER

QUALITY, SAFETY & EFFICIENCY



We ensure the quality of your products with the quality of our work. As early as 1994, we introduced a quality management system according to international standards. With DIN EN ISO 9001:2015, we can demonstrate that customers and their expectations are always in the focus of our attention. We strive constantly to improve our products, our production processes and our customer service. Through the intelligent use of energy-efficient and long-lasting LEDs, we achieve homogeneous and high-intensity illumination with lighting elements in escalators and lifts.



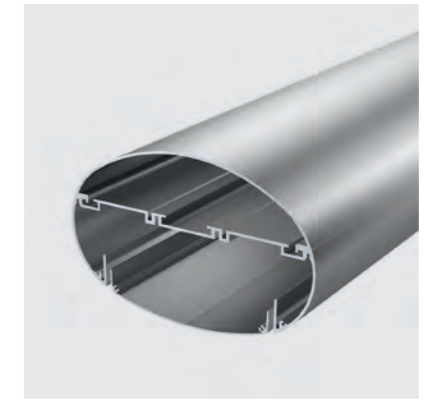
LICHT & METALL

FISCHER Licht & Metall was founded in 1928 and is headquartered in Mühlhausen an der Sulz. 200 employees work in flexible manufacturing structures across a plant area of 40,000 m². An innovative team of engineers, designers, technicians, graphic artists and skilled workers guarantee first-class workmanship in our products.

OUR PRODUCTS

LIGHT PIPE - OVAL

DB 94



For mounting industrial luminaires, signals, loudspeakers, beams, and cables

MATERIAL	Extruded aluminium profile AlMgSi 05
SURFACE	RAL powder-coated as per spec.
WEIGHT	Approx. 20 kg/m incl. luminaires and cables
DIMENSIONS	Width 285 mm, height 182 mm
REFERENCE	Landsberg (Lech) railway station

Previously in the DB luminaire selection list (DB-LAWL): B 04.50.012

LIGHT PIPE - OVAL

F 08



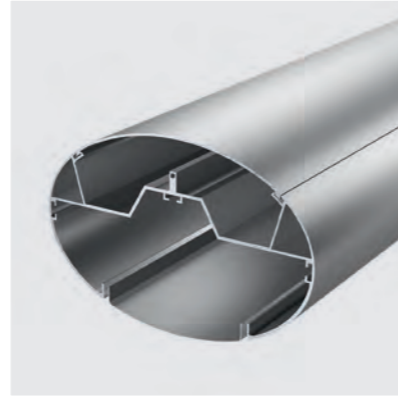
For mounting industrial luminaires, signals, loudspeakers, beams, and cables

MATERIAL	Extruded aluminium profile AlMgSi 05
SURFACE	RAL powder-coated as per spec.
WEIGHT	Approx. 20 kg/m incl. luminaires and cables
DIMENSIONS	Width 285 mm, height 201 mm
REFERENCE	Krakow railway station, Poland

Previously in the DB luminaire selection list (DB-LAWL): B 04.50.012

LIGHT PIPE – OVAL

DB 1 / DB 1-B



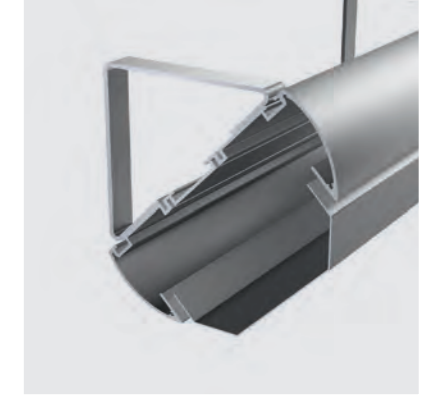
For mounting industrial luminaires, signals, loudspeakers, beams, and cables

MATERIAL	Extruded aluminium profile AlMgSi 05
SURFACE	RAL powder-coated as per spec.
WEIGHT	Approx. 24 kg/m incl. luminaires and cables
DIMENSIONS	Width 360 mm, height 240 mm
REFERENCE	Bremen central railway station (DB 1) Hamburg City Hall Market (DB 1-B)

Previously in theDB luminaire selection list (DB-LAWL): B 04.50.012

CARRIER PROFILE

F 08 H_{corner version}



For mounting industrial luminaires, e.g., NORKA KREUZBERG, loudspeakers, beams, and cables

MATERIAL	Extruded aluminium profile
SURFACE	RAL powder-coated as per spec.
WEIGHT	Approx. 13 kg/m incl. luminaires and cables
REFERENCE	Cottbus central railway station

Installation external dimensions of the cross section:
Width 258 mm, height 259 mm

LIGHT PIPE – SEMI-OVAL

F 08 H



For mounting industrial luminaires, loudspeakers, beams, and cables

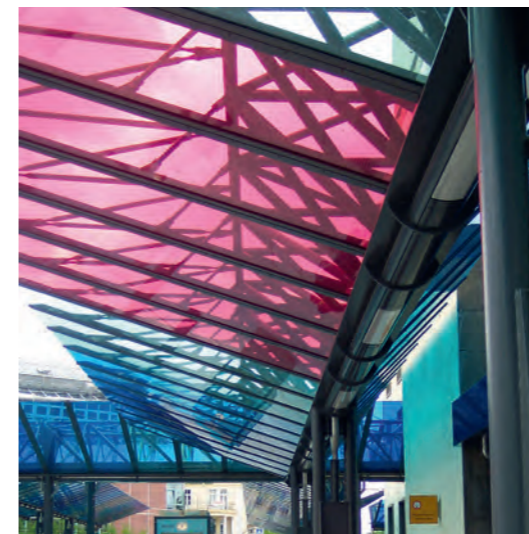
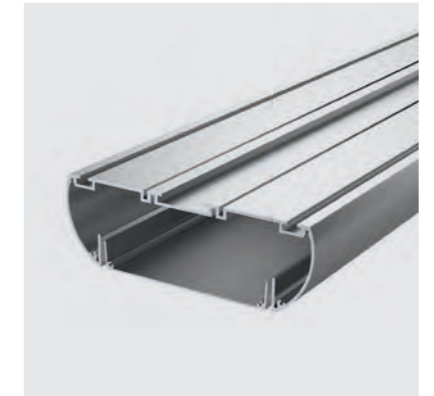
MATERIAL	Extruded aluminium profile
SURFACE	RAL powder-coated as per spec.
WEIGHT	Approx. 13 kg/m incl. luminaires and cables
DIMENSIONS	Width 285 mm, height 134 mm
REFERENCE	Kettwig railway station

Previously in theDB luminaire selection list (DB-LAWL): B 04.50.021

CARRIER PROFILE

FLB 94 H

Design 1



For mounting industrial luminaires, loudspeakers, beams, and cables

MATERIAL	Extruded aluminium profile
SURFACE	RAL powder-coated as per spec.
WEIGHT	Approx. 11 kg/m incl. luminaires and cables
DIMENSIONS	Width 285 mm, height 100 mm
REFERENCE	Gera central bus station Design 2: Cover curved at bottom

Previously in theDB luminaire selection list (DB-LAWL): B 04.50.021

CARRIER PROFILE

FLB 94 H corner version



For mounting industrial luminaires, e.g., NORKA KARLSRUHE, loudspeakers, beams, and cables

MATERIAL	Extruded aluminium profile
SURFACE	RAL powder-coated as per spec.
WEIGHT	Approx. 11 kg/m incl. luminaires and cables
REFERENCE	Paso Montelimar, France

Installation external dimensions of the cross section:
Width 244 mm, height 244 mm

CARRIER PROFILE

FB 02



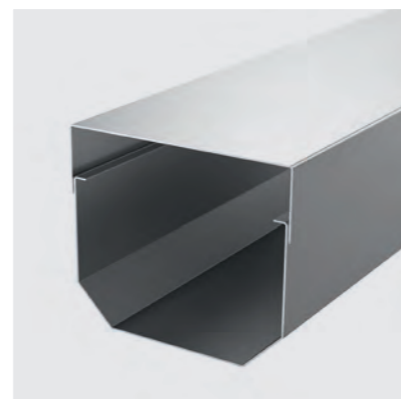
For mounting industrial luminaires, signals, loudspeakers, beams, and cables

MATERIAL	Extruded aluminium profile
SURFACE	RAL powder-coated as per spec.
WEIGHT	Approx. 11 kg/m incl. luminaires and cables
DIMENSIONS	Width 336 mm, height 102.5 mm
REFERENCE	Aying railway station

Previously in the DB luminaire selection list (DB-LAWL): B 04.50.019

CARRIER PROFILE

FK 02



For mounting industrial luminaires, loudspeakers, beams, and cables

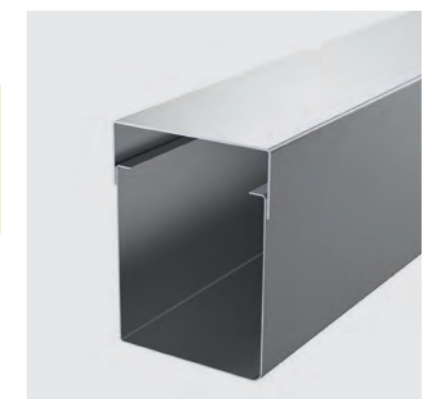
MATERIAL	Stainless steel V2A
SURFACE	polished, grain 320
WEIGHT	Approx. 13 kg/m incl. luminaires and cables
DIMENSIONS	Width 200 mm, height 175 mm
REFERENCE	Marienplatz underground station, Munich

Previously in the DB luminaire selection list (DB-LAWL): B 04.50.020

CARRIER PROFILE

F 02

Design 2



For mounting industrial luminaires, loudspeakers, beams, and cables

MATERIAL	Stainless steel V2A
SURFACE	polished, grain 320
WEIGHT	Approx. 9 kg/m incl. luminaires and cables
DIMENSIONS	Width 115 mm, height 160 mm
REFERENCE	Efringen underpass

Previously in the DB luminaire selection list (DB-LAWL): B 04.50.018

LIGHT CHANNEL

225×300mm



For mounting industrial luminaires, loudspeakers, signals, beams, and cables

MATERIAL	Extruded aluminium profile AlMgSi 05
SURFACE	RAL powder-coated as per spec.
WEIGHT	Approx. 32 kg/m incl. luminaires and cables
DIMENSIONS	Width 225 mm, height 300 mm
REFERENCE	Nuremberg-Sündersbühl station

LIGHT CHANNEL

F10



For mounting industrial luminaires, loudspeakers, beams, and cables

MATERIAL	Extruded aluminium profile AlMgSi 05
SURFACE	RAL powder-coated as per spec.
WEIGHT	Approx. 31 kg/m incl. luminaires and cables
DIMENSIONS	Width 550 mm, height 110 mm
REFERENCE	Essen, Breslauer Strasse station

LIGHT CHANNEL

225×250mm

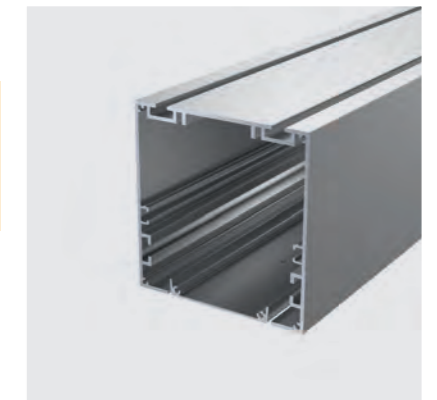


For mounting industrial luminaires, loudspeakers, signals, beams, and cables

MATERIAL	Extruded aluminium profile AlMgSi 05
SURFACE	RAL powder-coated as per spec.
WEIGHT	Approx. 29 kg/m incl. luminaires and cables
DIMENSIONS	Width 225 mm, height 250 mm
REFERENCE	Nuremberg Stadtgrenze station

LIGHT CHANNEL

F18

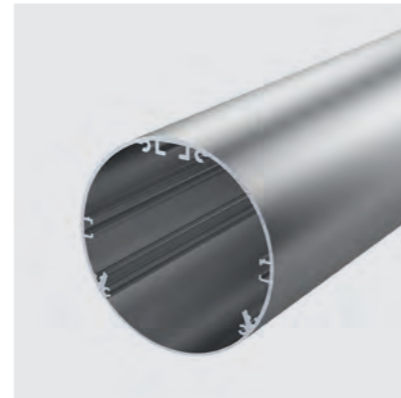


For mounting industrial luminaires, loudspeakers, beams, and cables

MATERIAL	Extruded aluminium profile AlMgSi 05
SURFACE	RAL powder-coated as per spec.
WEIGHT	Approx. 18 kg/m incl. luminaires and cables
DIMENSIONS	Width 150 mm, height 250 mm
REFERENCE	Cottbus central railway station

LIGHT PIPE

DB 150



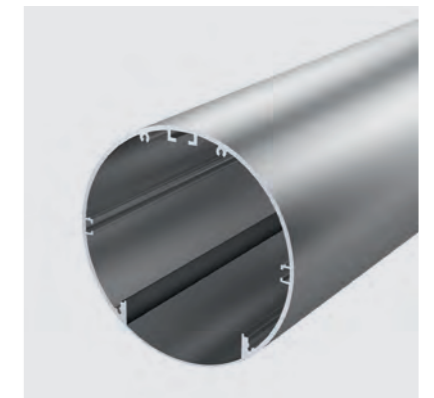
For mounting industrial luminaires, loudspeakers, beams, and cables

MATERIAL	Extruded aluminium profile AlMgSi 05
SURFACE	RAL powder-coated as per spec.
WEIGHT	Approx. 10 kg/m incl. luminaires and cables
DIMENSIONS	Diameter 150 mm
REFERENCE	Mering railway station

Previously in the DB luminaire selection list (DB-LAWL): B 04.50.013

LIGHT PIPE

DB 200



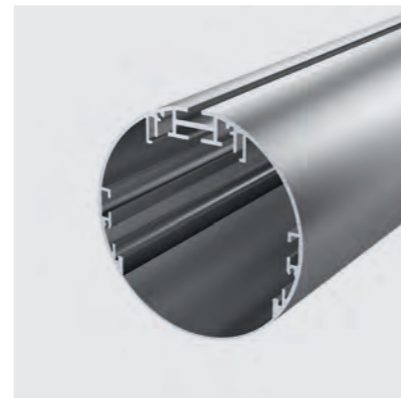
For mounting industrial luminaires, loudspeakers, beams, and cables

MATERIAL	Extruded aluminium profile AlMgSi 05
SURFACE	RAL powder-coated as per spec.
WEIGHT	Approx. 12 kg/m incl. luminaires and cables
DIMENSIONS	Diameter 200 mm
REFERENCE	Bochum central railway station

Previously in the DB luminaire selection list (DB-LAWL): B 04.50.015

LIGHT PIPE

DB 175



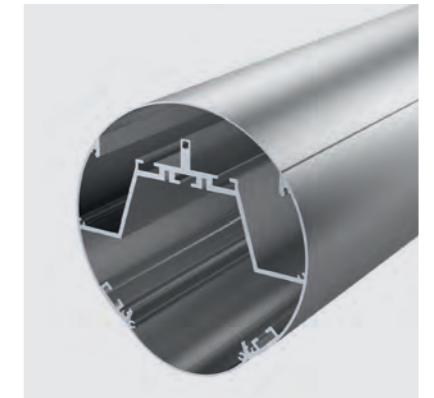
For mounting industrial luminaires, loudspeakers, beams, and cables

MATERIAL	Extruded aluminium profile AlMgSi 05
SURFACE	RAL powder-coated as per spec.
WEIGHT	Approx. 12 kg/m incl. luminaires and cables
DIMENSIONS	Diameter 175 mm
REFERENCE	Kreuztal railway station

Previously in the DB luminaire selection list (DB-LAWL): B 04.50.014

LIGHT PIPE

LR 220

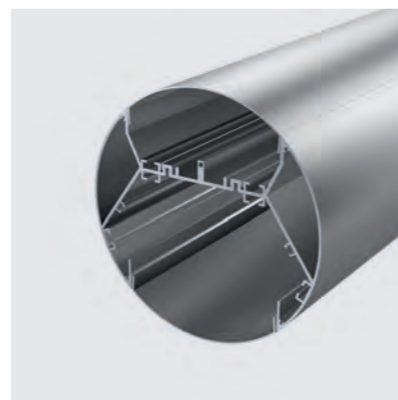


For mounting industrial luminaires, loudspeakers, beams, and cables

MATERIAL	Extruded aluminium profile AlMgSi 05
SURFACE	RAL powder-coated as per spec.
WEIGHT	Approx. 20 kg/m incl. luminaires and cables
DIMENSIONS	Diameter 200 mm
REFERENCE	Hamburg Saarlandstrasse station

LIGHT PIPE

DB 300



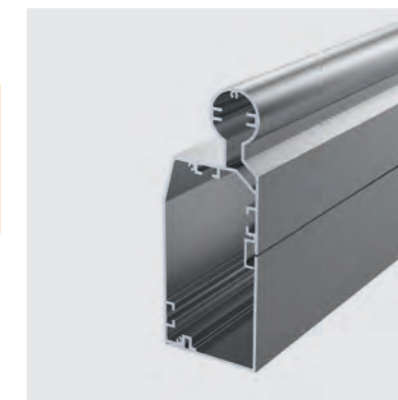
For mounting industrial luminaires, loudspeakers, beams, and cables

MATERIAL	Extruded aluminium profile
SURFACE	RAL powder-coated as per spec.
WEIGHT	Approx. 26 kg/m incl. luminaires and cables
DIMENSIONS	Diameter 300 mm
REFERENCE	Fürth Hardhöhe station

Previously in the DB luminaire selection list (DB-LAWL): B 04.50.016

HANDRAIL

ANGULAR

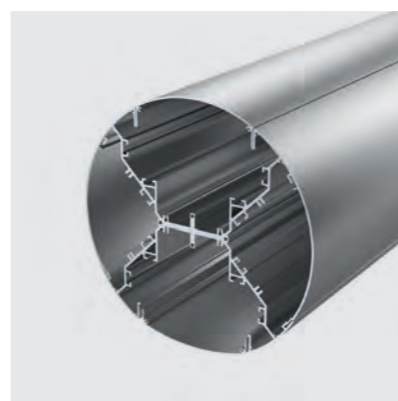


For mounting industrial luminaires, LED illumination, effects luminaires, and cables

MATERIAL	Extruded aluminium profile AlMgSi 05
SURFACE	RAL powder-coated as per spec. or anodised E6/EV1 silver natural
WEIGHT	Approx. 10 kg/m incl. luminaires and cables
DIMENSIONS	Width 100 mm, height 258 mm
REFERENCE	Nuremberg Langwasser underground station

LIGHT PIPE

DB 400



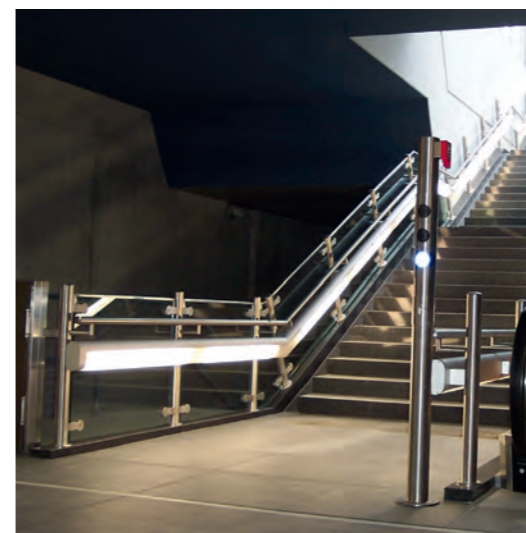
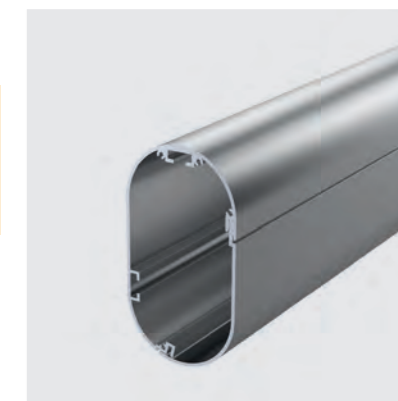
For mounting industrial luminaires, loudspeakers, beams, and cables

MATERIAL	Extruded aluminium profile AlMgSi 05
SURFACE	RAL powder-coated as per spec. or anodised E6/EV1 silver natural
WEIGHT	Approx. 34 kg/m incl. luminaires and cables
DIMENSIONS	Diameter 400 mm
REFERENCE	Fürth Hardhöhe station

Previously in the DB luminaire selection list (DB-LAWL): B 04.50.017

HANDRAIL

OVAL



For mounting industrial luminaires, LED illumination, effects luminaires, and cables

MATERIAL	Extruded aluminium profile AlMgSi 05
SURFACE	RAL powder-coated as per spec. or anodised E6/EV1 silver natural
WEIGHT	Approx. 6 kg/m incl. luminaires and cables
DIMENSIONS	Width 100 mm, height 180 mm
REFERENCE	Fürth Hardhöhe station

POSSIBLE COMBINATIONS PROFILE/LUMINAIRE

LUMINAIRE/PROFILE	MEDIA CHANNELS				CARRIER PROFILES							LIGHT PIPES						HANDRAILS	
	DB 94 p. 15	F 08 p. 15	DB 1 p. 16	F 08 H p. 16-17	FLB 94 H p. 17-18	FK 02 p. 18	FB 02 p. 19	F 02 p. 19	LK 225 p. 20	F 10 p. 21	F 18 p. 21	DB 150 p. 22	DB 175 p. 22	DB 200 p. 23	LR 220 p. 23	DB 300 p. 24	DB 400 p. 24	Angular p. 25	Oval p. 25
Norka Hamm											X								
Norka Erfurt - LED											X	X	X	X				X	X
Norka Marburg							X												
Norka Kreuzberg	X	X		X		X													
Norka Brunn		X		X			X											X	X
Norka München - LED	X				X														
Norka Gera				X					X								X	X	
Norka Prag - LED				X					X							X	X		
Norka PHALANX											X								
Pracht Apollo LS T5/T8																		X	X
Pracht Apollo DDF PSR T5											X	X	X						
Pracht Apollo HLR PSR T5/T8													X	X					
Pracht Avus SR 1../. LB																		X	X
Pracht Bernina T5/T8																			
Pracht Samos T5/T8																			
Pracht Troja																			
Tuscon-Design-Plan	X	X		X		X				X									
Schmid-Strahl-Resista	X	X		X		X													

Optional: DNH [type: P3X2T] or VISATON [type: UL7N] loudspeakers are suitable for all FISCHER light-pipe systems.
Subject to technical modifications without notice.



FISCHER LICHTSYSTEME GmbH
Rocksdorfer Str. 10 | 92360 Mühlhausen
www.lichtsysteme-fischer.de